



# GN 741

## Threaded plugs

Aluminium, resistant up to 100 °C



---

### Specification

#### Types

- Type **OS**: neutral, blank
- Type **OSS**: neutral, black anodized
- Type **ES**: with DIN re-fill symbol, blank
- Type **ESS**: with DIN re-fill symbol, black anodized
- Type **AS**: with DIN drain symbol, blank
- Type **ASS**: with DIN drain symbol, black anodized

#### Identification no.

- No. **1**: without vent drilling
- No. **2**: with vent drilling

Aluminium

- Type OS, ES and AS: fine turned, blank
- Type OSS, ESS and ASS: fine turned, black anodized
- Symbol laser engraved

Temperature resistant up to **100 °C**

Sealing ring rubbers NBR (Perbunan)

---

### Information

Threaded plugs GN 741 are fitted with outside diameter  $d_1$  to suit screw holes with BSP threads to DIN 3852.

The sealing ring is bedded into a undercut groove which prevents it from dropping out and at the same time stops it from being extruded when tightening the cap.

---

### On request

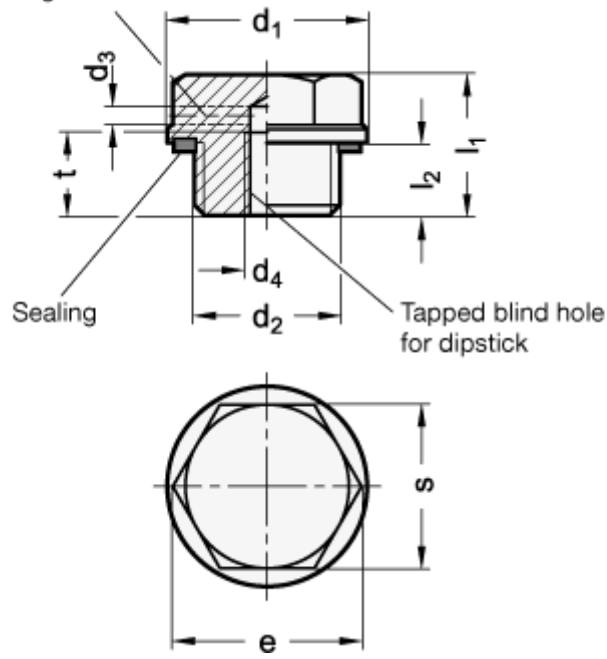
- with dipstick

---

### Technical information

- [Elastomer characteristics](#)
- [Plastic characteristics](#)

Air vent drilling



Re-fill symbol



Drain symbol







<b>GN 741-32-G3/4-OSS-2</b>	32	G 3/4	2	M 5	17	9	27	31.2	8	38
<b>GN 741-40-G1-OS-1</b>	40	G 1	2	M 5	19.5	11	32	37	8	47
<b>GN 741-40-G1-OSS-1</b>	40	G 1	2	M 5	19.5	11	32	37	8	47
<b>GN 741-40-G1-OS-2</b>	40	G 1	2	M 5	19.5	11	32	37	8	47
<b>GN 741-40-G1-OSS-2</b>	40	G 1	2	M 5	19.5	11	32	37	8	47
<b>GN 741-50-G11/4-OS-1</b>	50	G 1 1/4	2	M 5	21	12	41	47.3	8	80
<b>GN 741-50-G11/4-OSS-1</b>	50	G 1 1/4	2	M 5	21	12	41	47.3	8	80
<b>GN 741-50-G11/4-OS-2</b>	50	G 1 1/4	2	M 5	21	12	41	47.3	8	80
<b>GN 741-50-G11/4-OSS-2</b>	50	G 1 1/4	2	M 5	21	12	41	47.3	8	80
<b>GN 741-60-G11/2-OS-1</b>	60	G 1 1/2	2	M 5	22	13	50	57.7	8	119
<b>GN 741-60-G11/2-OSS-1</b>	60	G 1 1/2	2	M 5	22	13	50	57.7	8	119
<b>GN 741-60-G11/2-OS-2</b>	60	G 1 1/2	2	M 5	22	13	50	57.7	8	119
<b>GN 741-60-G11/2-OSS-2</b>	60	G 1 1/2	2	M 5	22	13	50	57.7	8	119